

GENERAL INFORMATION

Project Name: _____

OPTIONS AND ACCESSORIES

GLASS OPTIONS

- 3/8" Tempered Glass - Overall Max 66"
- 1/2" Tempered Glass - Centerline Max 72"

INSTALLATION OPTIONS

- Square Glass Clips (Secured to Counter)
- Round Glass Clips (Secured to Counter)
- Flush to Counter, Sealed with Silicone
- Custom Clamp (Secured to Counter)

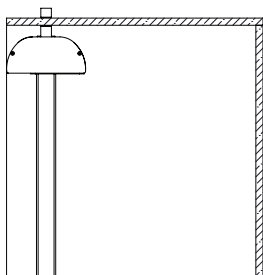
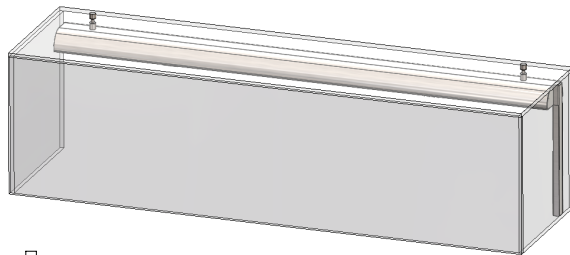
LIGHT AND WARMER OPTIONS

Light and warmer housings can be installed as stand alone units or mounted to the top glass.

- Slimline 2580 Light
- Stealth 790 Warmer
- Stealth 705 Light & Warmer Combo Unit
- Stealth 500 Heat/Light/Heat Combo Unit

INSTALLATION METHODS

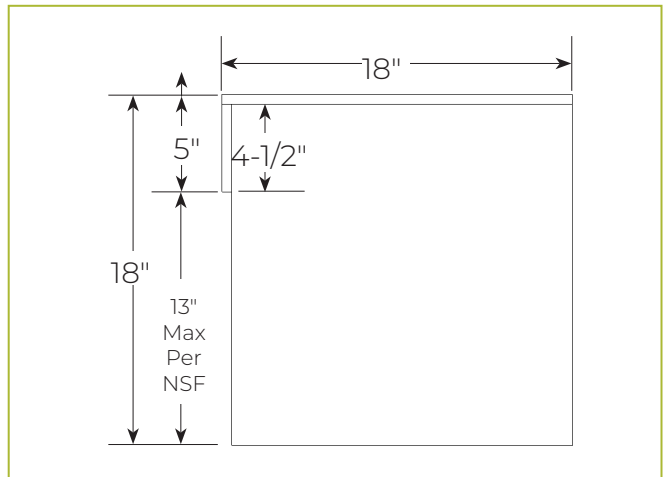
Light & Warmer Glass Mounted Configuration



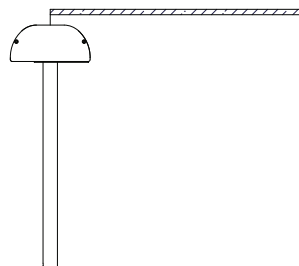
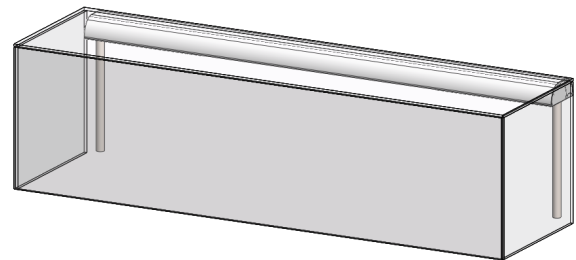
Side Profile

CV100-1

**ClearView Bonded Glass,
Self Service w/ Top Shelf**



Light & Warmer Stand Alone Configuration



Side Profile